

REV.	DESCRIPTION	NAME	DATE
A	NEWS ISSUE	Rain.Yi	2023/04/13

NOTES:

1.MATERIAL:

- 1-1 HOUSING:LCP WITH 30% G/F UL 94V-0 COLOR:BLACK.
- 1-2 CAP:LCP WITH 30% G/F UL 94V-0 COLOR:BLACK.
- 1-3 TERMINAL:COPPER ALLOY T=0.20mm
- 1-4 SHELL:SPCC/COPPER ALLOY T=0.50mm

2.PLATING:

2-1 TERMINAL:

(SEE P/N.)GOLD PLATED ON CONTACT AREA AND 100μ" MIN. MATTE-TIN ON SOLDER TAIL, WITH ENTIRE CONTACT UNDERPLATED 80μ" MIN.NICKEL.

2-2 SHELL:50μ" MIN. NICKEL PLATED.

3.MECHANICAL PERFORMANCE

- 3-1 INSERTION FORCE: 4.5kgf MAX
- REMOVAL FORCE: 1kgf MIN; 4.0kgf MAX
- DURABILITY:5000 CYCLES

4.ELECTRICAL PERFORMANCE:

- 4-1 Current Rating: 0.5A
- 4-2 Voltage Rating: 40V AC
- 4-3 CONTACT RESISTANCE:INITIAL 30mΩ MAX.  
AFTER TEST:ΔmΩ MAX
- 4-4 DIELECTRIC STRENGTH:UNMATED CONNECTORS APPLY 500V AC  
MATED CONNECTOR APPLY 300V AC
- 4-5 INSULATION RESISTANCE:100 MEGAOHMS MIN.(UNMATED)  
10 MEGAOHM'S MIN.(MATED)

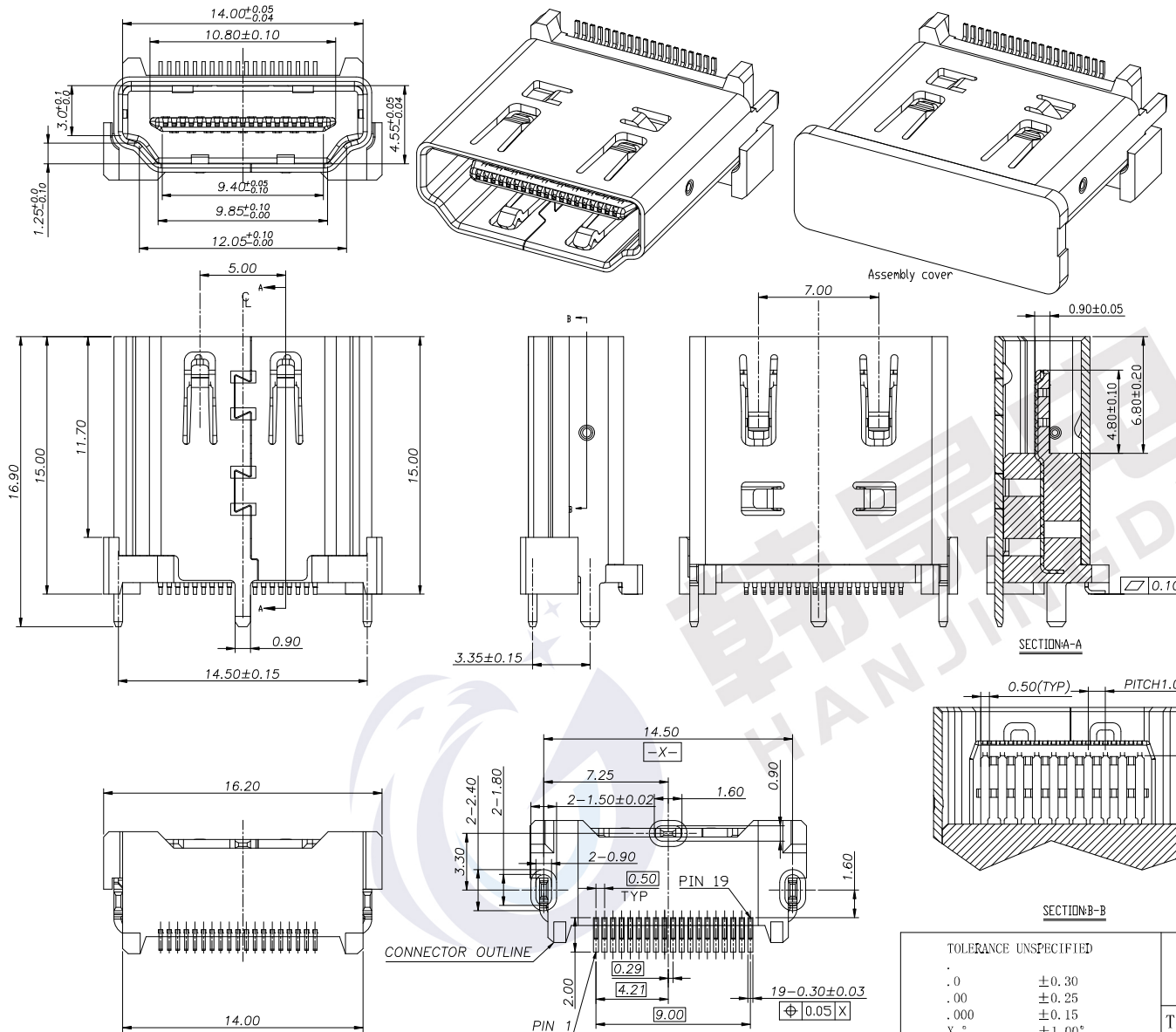
5.ENVIRONMENTAL PERFORMANCE:

OPERATING TEMPERATURE: -25°C~+85°C  
SALT SPRAY:24H

6. P/N. HDR01-3193X-10BR


- 1: GOLD FLASH PLATING ON CONTACT AREA , MATTE TIN 100u" Min ON SOLDER AREA
- 3: 3u" GOLD PLATING ON CONTACT AREA , MATTE TIN 100u" Min ON SOLDER AREA

PIN	Signal Assignment	PIN	Signal Assignment
1	TMDS Data2+	2	TMDS Data2 Shield
3	TMDS Data2-	4	TMDS Data1+
5	TMDS Data1 Shield	6	TMDS Data1-
7	TMDS Data0+	8	TMDS Data0 Shield
9	TMDS Data0-	10	TMDS Clock+
11	TMDS Clock Shield	12	TMDS Clock-
13	CEC	14	Utility
15	SCL	16	SDA
17	DDC/CEC Ground	18	+5V Power
19	Hot Plug Detect		

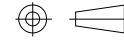


RECOMMENDED P.C.B. LAYOUT (T:1.20~1.60mm)  
TOLERANCE UNSPECIFIED ±0.05mm

TOLERANCE UNSPECIFIED	
.0	±0.30
.00	±0.25
.000	±0.15
X.°	±1.00°
ASSEMBLY DRAWING	


**东莞市韩晶电子有限公司**

TITLE: HDMI 直立贴板母座(H=15.0MM)带弹侧凸包  
客户图

DRAWN	Rain.Yi	DATE	2023/04/13	SIZE:A4	UNIT:mm.	PART. NO:	HDR01-3193K-10BR
CHECKED	Rain.Yi	DATE	2023/04/13	SCALE:	1:1	PROJECTION	 REV.: A
APPROVED	LCY	DATE	2023/04/13	DWG	PATH	C00-0000-0089	PATH 1/1

