

REV.	DESCRIPTION	NAME	DATE
A	NEWS ISSUE	RainYi	2022/10/20

NOTE:

- MATERIAL SPECIFICATION:
 - HOUSING: HIGH TEMPERATURE RESISTANT PLASTIC, UL94 V-0.
 - CONTACTS: COPPER ALLOY
 - MID PLATE: STAINLESS STEEL
 - INSIDE SHELL: STAINLESS STEEL
 - OUTSIDE SHELL: STAINLESS STEEL
- PLATING SPECIFICATION:
 - CONTACTS:
 - Ni 50u" MIN. UNDER PLATED OVER ALL.
 - Au PLATED ON THE FUNCTIONAL AREA OF CONTACT. (GOLD PLATING THICKNESS FOLLOW THE P/N)
 - GOLD FLASH PLATING ON SOLDER AREA
 - INSIDE SHELL OR OUTSIDE SHELL:
 - Ni 30u" MIN. UNDER PLATED OVER ALL.
- MECHANICAL PERFORMANCE,
 - INSERTION FORCE: 0.5~2.0kgf.
 - REMOVAL FORCE: 0.8kgf~2.0kgf.
 - DURABILITY: 10000 CYCLES.
- ELECTRICAL PERFORMANCE,
 - CURRENT RATING: 5A
VOLTAGE RATING: 20V
 - INSULATION RESISTANCE: 100MΩ MIN
 - DIELECTRIC WITHSTAND VOLTAGE, AC 100V FOR 1 MINUTE.
 - LOW CONTACT RESISTANCE: INITIAL 40MΩ
AFTER 50MΩ
- ENVIRONMENTAL PERFORMANCE:
 - OPERATING TEMPERATURE: -30°C~+80°C.
- IR REFLOW:
 - THE PEAK TEMPERATURE ON THE BOARD SHALL BE MAINTAINED FOR 10 SECONDS AT 260°C.

5	OUTER SHELL	SUS304 T=0.25MM	NI 40u"MIN	1PCS
4	INNER SHELL	SUS304 T=0.30MM	NI 40u"MIN	1PCS
3	SHIELDING PLATE	SUS301 T=0.15MM	N/A	1PCS
2	CONTACT	C2680 T=0.15MM	Mating area 1u"Au Solder Tails: G/F Underplate: 80u"Min Ni overall	2SET
1	INSERT MOLDING	LCP UL94V-0	BLACK	1PCS
NO.	DESCRIPTION	MATERIAL	REMARKS	

TOLERANCE UNSPECIFIED

.0	±0.35
.00	±0.25
.000	±0.15
X.°	±1.00°

ASSEMBLY DRAWING



东莞市韩晶电子有限公司

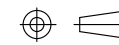
Dongguan Hanjin Electronics Co., Ltd.

USB TYPE C 16PIN,
板上垫高3.0mm (CH=4.58)

Rain. Yi
2022/10/20

UCR04-2161X-00XR

Rain. Yi
2022/10/20

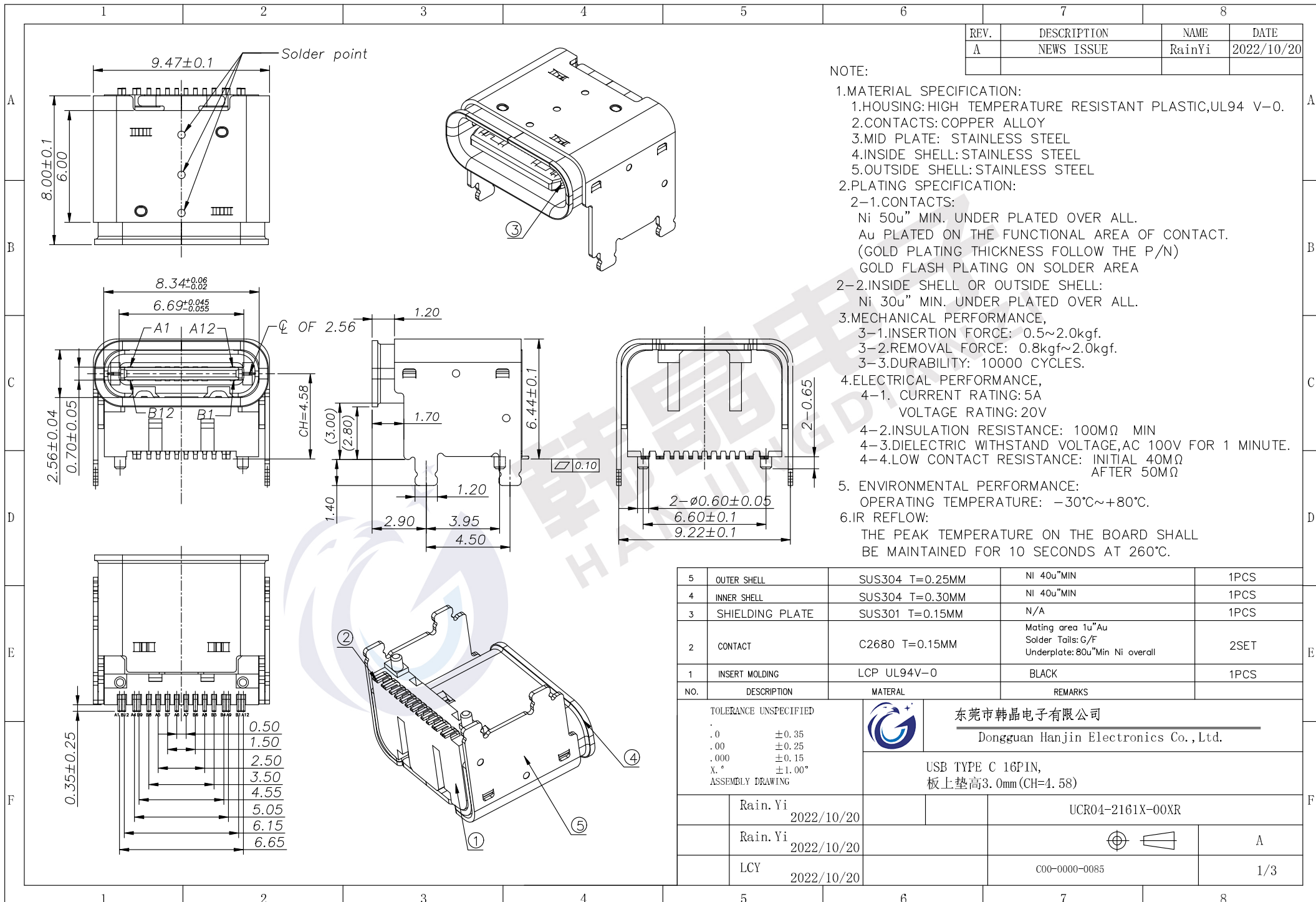


A

LCY
2022/10/20

C00-0000-0085

1/3



REV.	DESCRIPTION	NAME	DATE
A	NEWS ISSUE	RainYi	2022/10/20

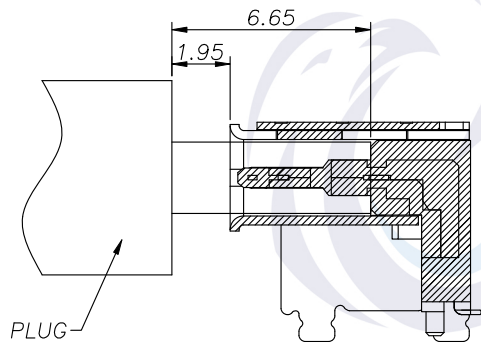
7.P/N: UCR04-2161X-00XR

16:16 PIN

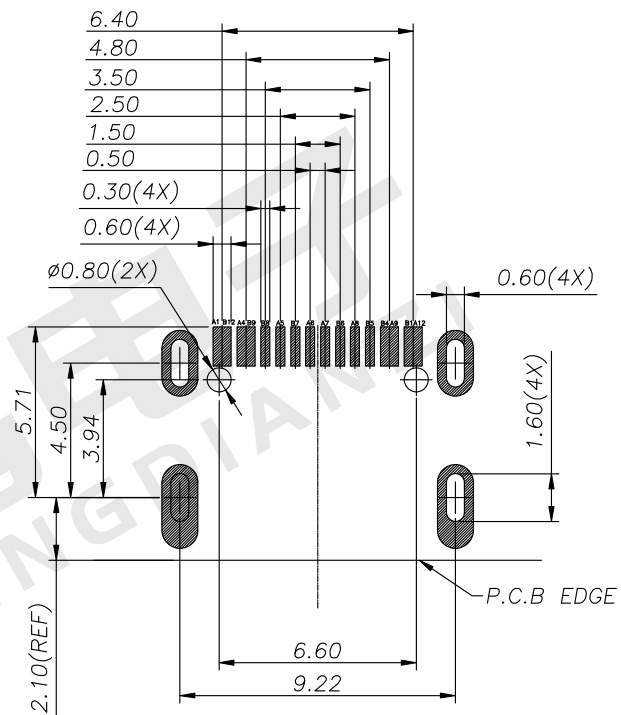
- B:Blck
 IN:NATURE
 1: GOLD FLASH PLATING ON CONTACT AREA,
 GOLD FLASH PLATING ON SOLDER AREA
 3: 3u" GOLD PLATING ON CONTACT AREA,
 GOLD FLASH PLATING ON SOLDER AREA
 5: 3u" GOLD PLATING ON CONTACT AREA,
 GOLD FLASH PLATING ON SOLDER AREA

USB TYPE-C PIN ASSIGNMENTS

PIN NUMBER	SIGNAL NAME	PIN NUMBER	SIGNAL NAME
A1	GND	B12	GND
A4	VBUS	B9	VBUS
A5	CC1	B8	SBU2
A6	Dp1	B7	Dn2
A7	Dn1	B6	Dp2
A8	SBU1	B5	CC2
A9	VBUS	B4	VBUS
A12	GND	B1	GND



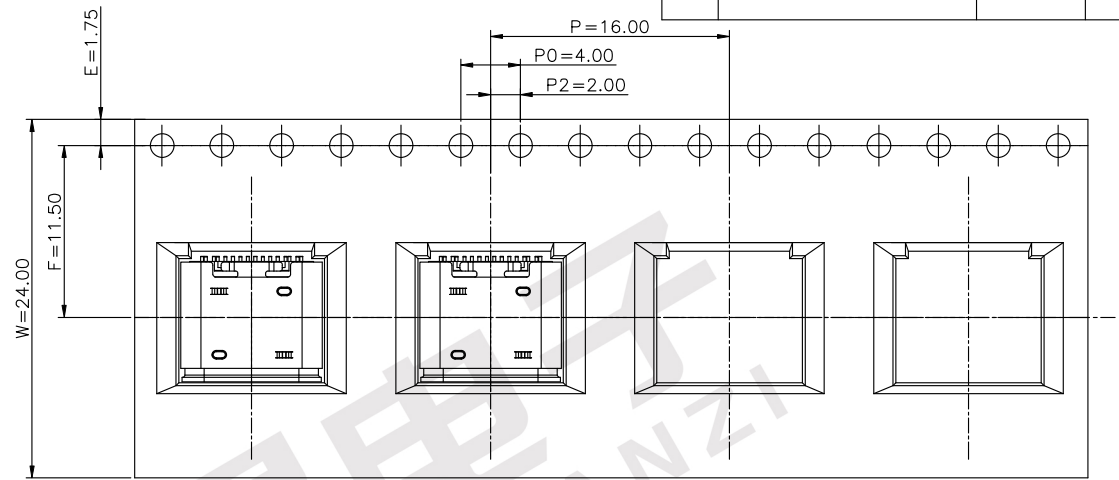
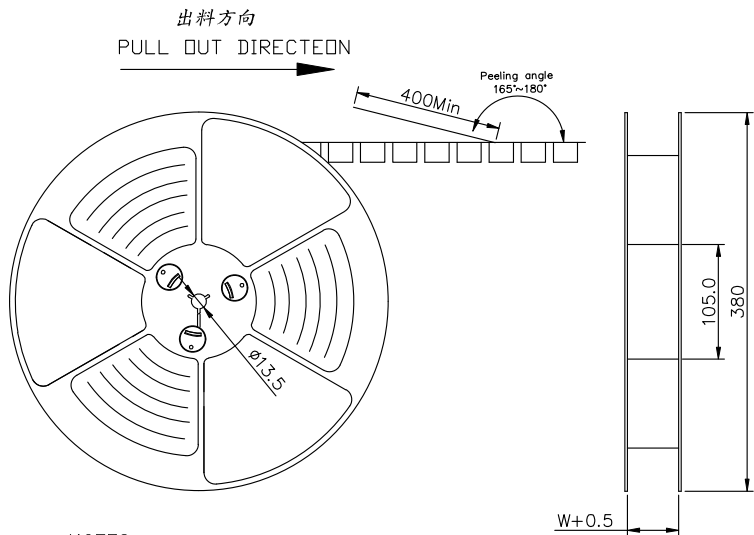
AFTER MATING
SCALE 1:1



RECOMMEND P.C.B LAYOUT(COMPONENT SIDE)
TOLERANCE FOR PCB LAYOUT IS ± 0.05

TOLERANCE UNSPECIFIED .0 ±0.35 .00 ±0.25 .000 ±0.15 X.° ±1.00" ASSEMBLY DRAWING		东莞市韩晶电子有限公司 Dongguan Hanjin Electronics Co., Ltd.	
		USB TYPE C 16PIN, 板上垫高3.0mm(CH=4.58)	
Rain. Yi 2022/10/20		UCR04-2161X-00XR	
Rain. Yi 2022/10/20			A
LCY 2022/10/20		C00-0000-0085	2/3

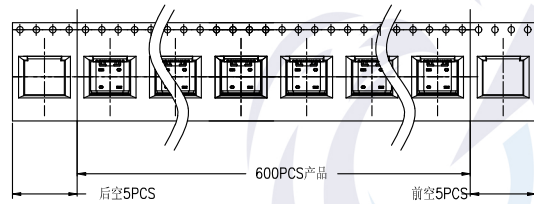
REV.	DESCRIPTION	NAME	DATE
A	2022/10/20	RainYi	2022/10/20



NOTES

1.帶子引導長度
LEAD TAPE LENGTH

出料方向
PULL OUT DIRECTION



2.上帶剝離力為：0.1~1.3N(10.2gf~130gf)
PEELING OFF FORCE OF TOP TAPE:0.1~1.3N(10.2gf~130gf)

出貨運輸過程中一定注意：

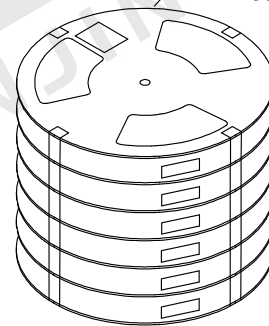
THIS REQUIREMENT SHOULD BE APPLIED AT SHIPMENT：

卷帶在運輸過程中不能散開

PEELING OFF SHOULD NOT BE ALLOWED DURING TRANSPORTATION

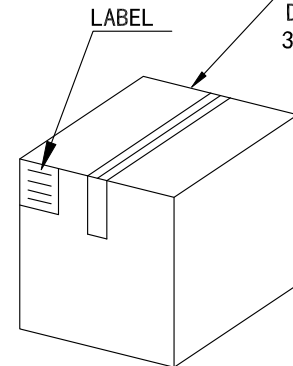
TAPE & REEL 7 PCS

1 REEL
= 600 PCS



BOX

DIMENSIONS:
39.5X39.5X20



1 CARTON
=6 REELS
=3600 PCS

TOLERANCE UNSPECIFIED

.0 ±0.35
.00 ±0.25
.000 ±0.15
X.° ±1.00°
ASSEMBLY DRAWING



东莞市韩晶电子有限公司

Dongguan Hanjin Electronics Co., Ltd.

USB TYPE C 16PIN,
板上墊高3.0mm(CH=4.58)

包明表 (The detail of the packing)Carton						
品料 (Product No.)	包容量 (Packing Capacity)			重量 Weight (Kg)		
	pcs/box	boxs/Carton	Pcs/Box	N.W./Pcs	N.W./Box	G.W./Box
UCR04-0161X-00XR	600	6	3600	----	----	----

Rain.Yi 2022/08/20		UCR04-2161X-00XR	
Rain.Yi 2022/10/20			A
LCY 2022/10/20		C00-0000-0085	3/3